

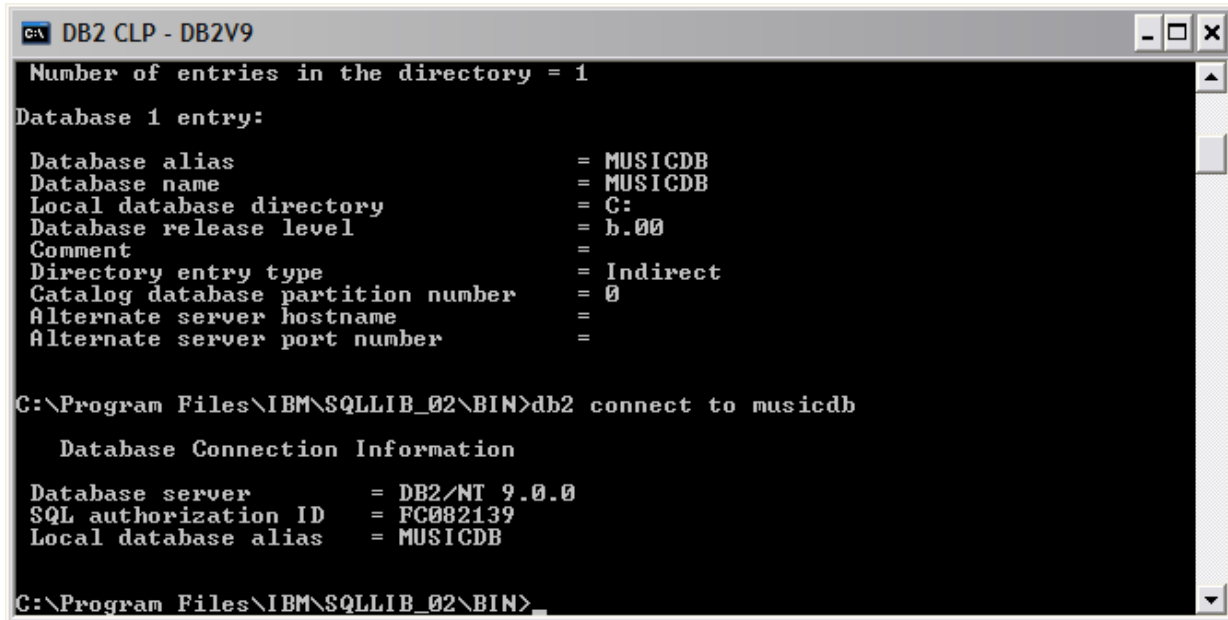


**IBM** Information Management software

# Command Line Processor (CLP) and GUI usage



# CLP Command Line Processor



```
C:\> DB2 CLP - DB2V9

Number of entries in the directory = 1

Database 1 entry:

Database alias           = MUSICDB
Database name           = MUSICDB
Local database directory = C:
Database release level  = b.00
Comment                 =
Directory entry type    = Indirect
Catalog database partition number = 0
Alternate server hostname =
Alternate server port number =

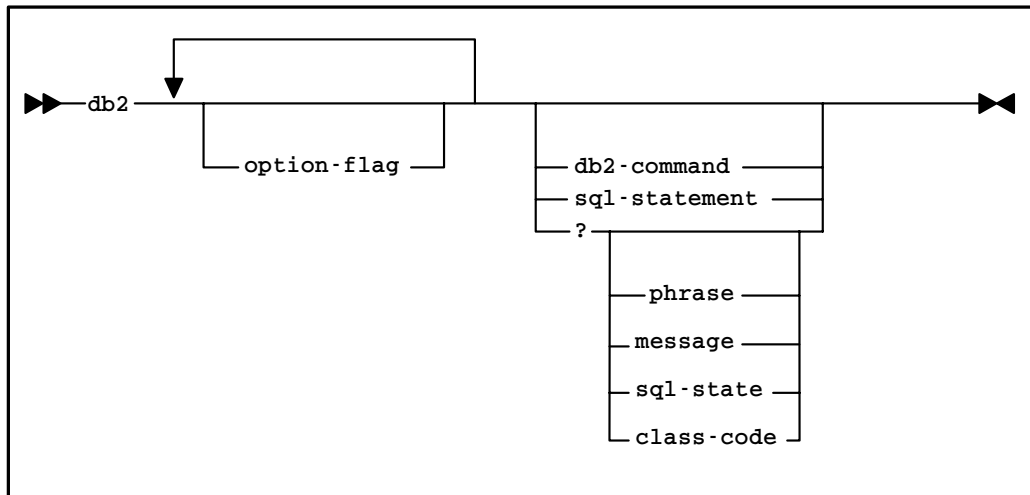
C:\Program Files\IBM\SQLLIB_02\BIN>db2 connect to musicdb

Database Connection Information

Database server          = DB2/NT 9.0.0
SQL authorization ID    = FC002139
Local database alias    = MUSICDB

C:\Program Files\IBM\SQLLIB_02\BIN>
```

# CLP syntax



# Online reference



- Online Command Reference

db2 ?

db2 ? command string

db2 ? SQLnnnn (nnnn = 4 or 5 digit SQLCODE)

db2 ? nnnnn (nnnnn = 5 digit SQLSTATE)

- Online Reference Manuals

# Using the CLP

## Non-interactive mode

```
db2 connect to musicdb
```

```
db2 "select * from syscat.tables" | more  
↑  
(double quotes may be required)
```

## Interactive mode

```
db2
```

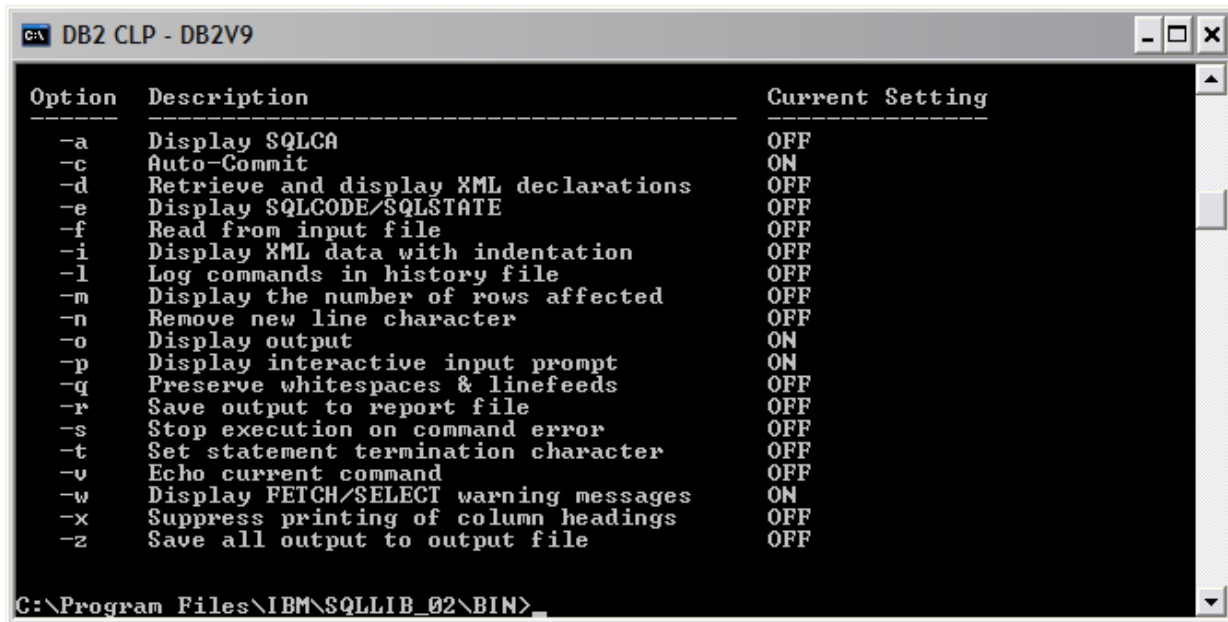
```
db2=> connect to musicdb
```

```
db2=> select * from syscat.tables
```

# QUIT/TERMINATE/CONNECT RESET differences

<b>CLP COMMAND</b>	<b><i>Terminate CLP Back-end Process</i></b>	<b><i>Disconnect database Connection</i></b>
<b>quit</b>	<b>No</b>	<b>No</b>
<b>terminate</b>	<b>Yes</b>	<b>Yes</b>
<b>connect reset</b>	<b>No</b>	<b>Yes if CONNECT=1 (RUOW)</b>

# CLP command options



The screenshot shows a terminal window titled "DB2 CLP - DB2V9". The window contains a table of command options and their current settings. The options are listed in three columns: Option, Description, and Current Setting. The options range from -a to -z. The current settings are either ON or OFF.

Option	Description	Current Setting
-a	Display SQLCA	OFF
-c	Auto-Commit	ON
-d	Retrieve and display XML declarations	OFF
-e	Display SQLCODE/SQLSTATE	OFF
-f	Read from input file	OFF
-i	Display XML data with indentation	OFF
-l	Log commands in history file	OFF
-m	Display the number of rows affected	OFF
-n	Remove new line character	OFF
-o	Display output	ON
-p	Display interactive input prompt	ON
-q	Preserve whitespaces & linefeeds	OFF
-r	Save output to report file	OFF
-s	Stop execution on command error	OFF
-t	Set statement termination character	OFF
-v	Echo current command	OFF
-w	Display FETCH/SELECT warning messages	ON
-x	Suppress printing of column headings	OFF
-z	Save all output to output file	OFF

C:\Program Files\IBM\SQLLIB\_02\BIN>

db2 list command options

# Modify CLP options

## 1 Temporary for Command

```
db2 -r options.rep list command options
db2 -svtf create.tab3
db2 +c "update tab3 set salary=salary + 100"
```

## 2 Temporary for Interactive CLP Session

db2=>update command options using c off a on

## 3 Temporary for non-interactive CLP Session

```
export DB2OPTIONS="-svt" (UNIX)
set DB2OPTIONS="-svt" (Windows)
db2 -f create.tab3
```

## 4 Every session

put point **3** in UNIX **db2profile**  
or System Program Group in Windows



# Input file — no operating system commands

Edit create.tab

```
-- comment: db2 -svtf create.tab

connect to sample;

create table tab3
  (name varchar(20) not null,
   phone char(40),
   salary dec(7,2));

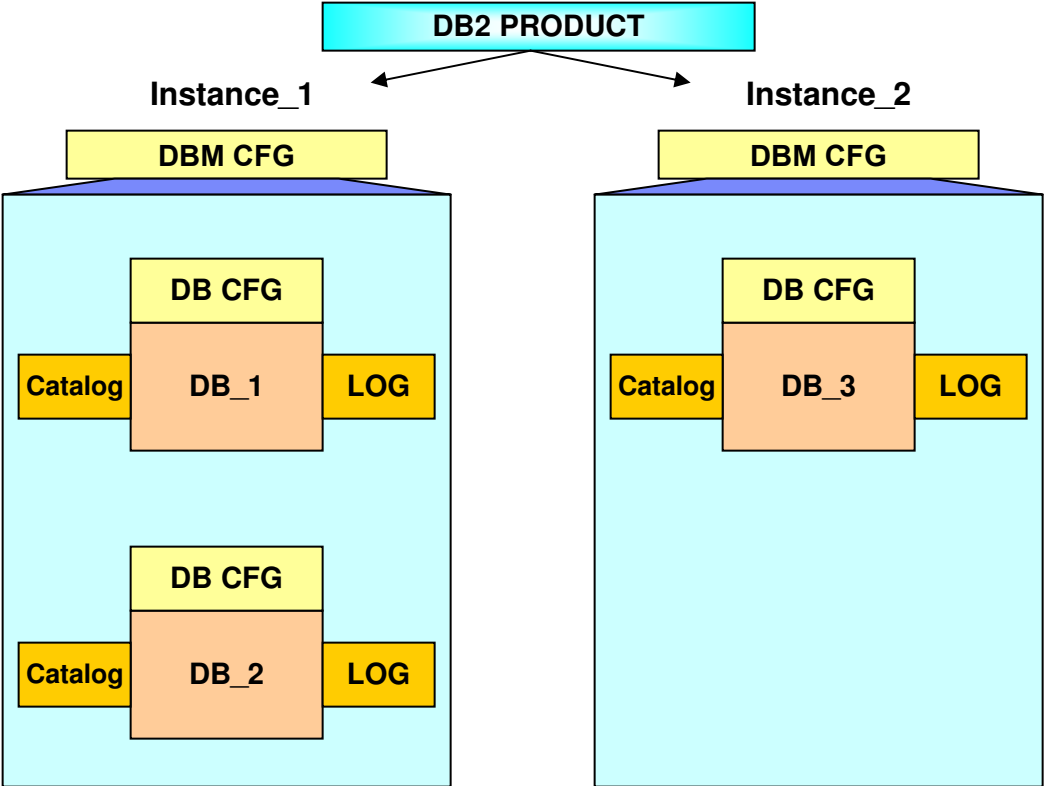
select * from tab3;

commit work;

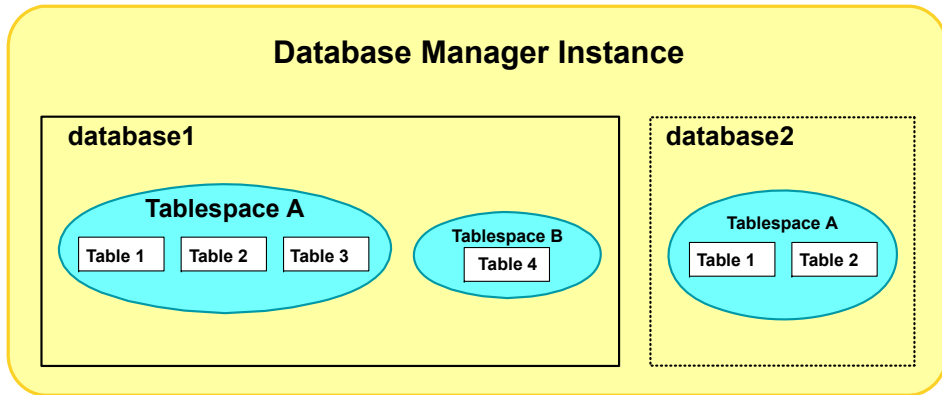
connect reset;
```

db2 -svtf create.tab

# What is an instance?



# Create database overview



- Databases are created within a Database Manager instance
- Table spaces are a logical layer created within database
- Tables are created within table spaces

# System Catalog tables and views

